

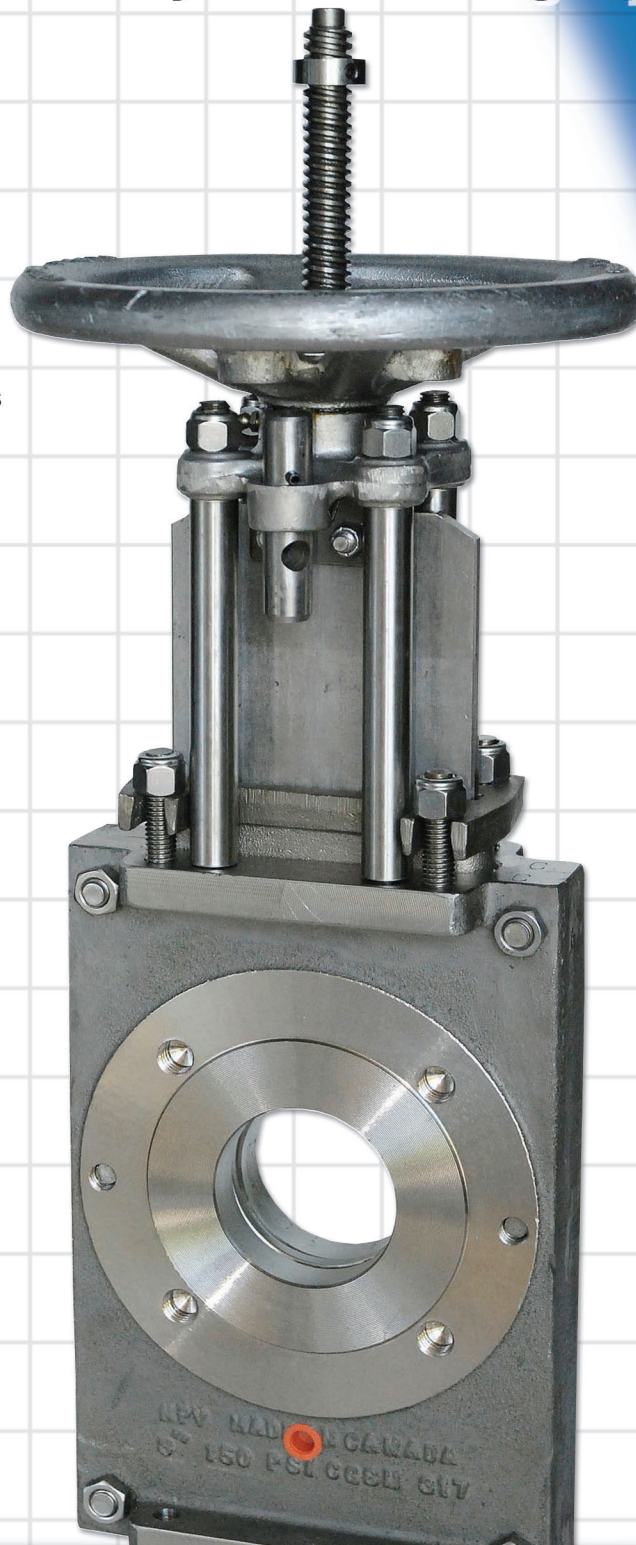
NPV

O-Port Thru Gate Valve Heavy Slurry and Scaling Applications

Series 400

Features and Benefits :

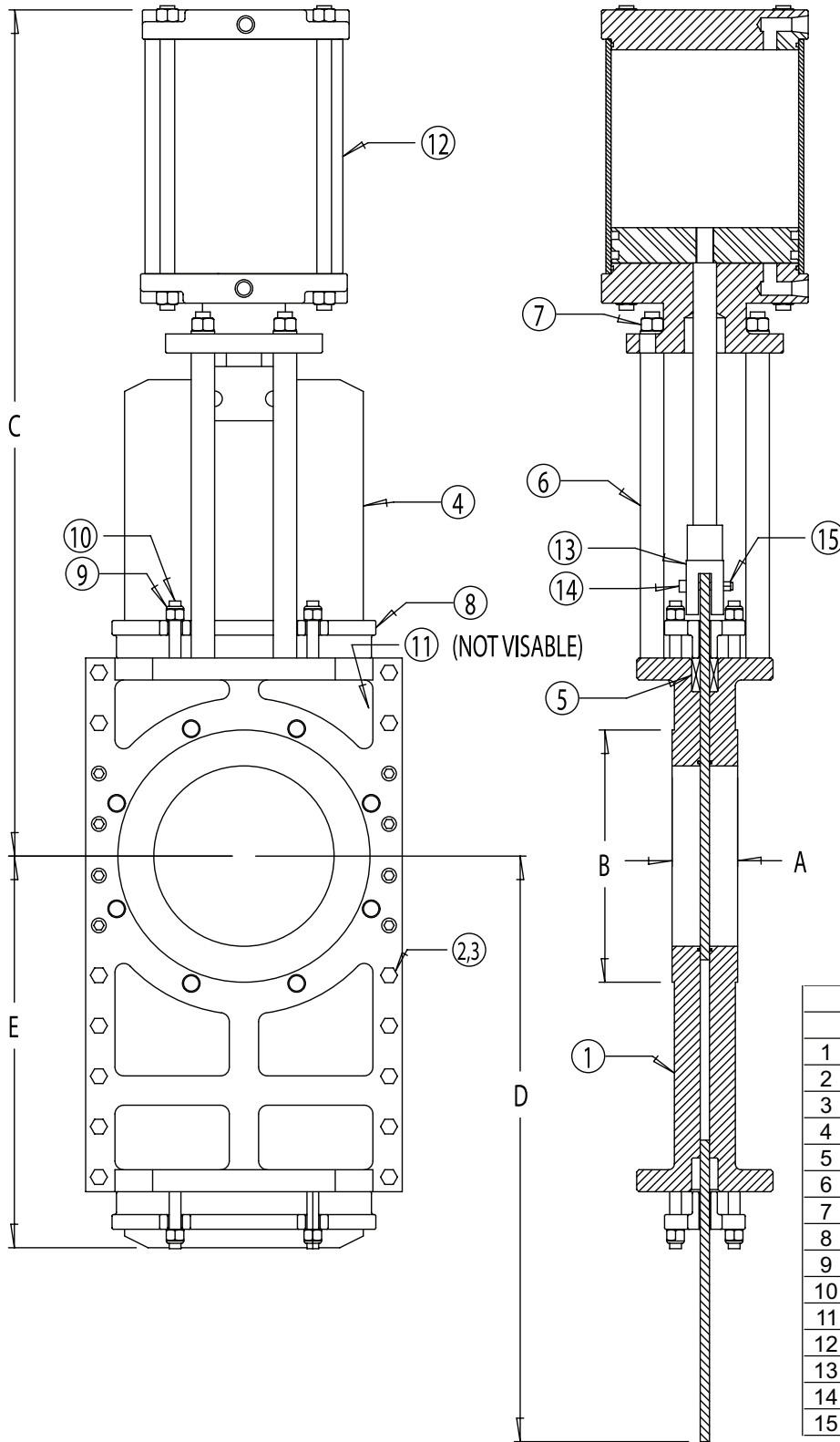
1. NPV O-Port design is generally used in heavy slurry and scaling applications
2. Special Electro Polished gate with machine beveled edge is standard in severe services such as phosphoric acid, green liquor and white liquor applications
3. Precision machining of body halves and close tolerances to gate eliminates solids build up between components ensuring proper cycling
4. Elastomer seated design eliminates pressure on packing in fully open and fully closed positions extending packing life
5. Equipped with hardened gate and cartridge seats, O-Port can be used in large scavenger applications for recycle pulper applications
6. Positive shutoff bidirectional valve in heavy stock applications eliminates dewatering
7. All components – stanchions, bolting, bridge, stem, packing follower – of stainless steel construction which eliminates external corrosion
8. Stainless Steel lockout bar on every valve for quick and efficient lockout
9. Due to torque requirements of O-Port design, use of gear operator or NPV pneumatic cylinder is recommended above 12"
10. NPV O-Port available in sizes 3" - 30"



Fully closed valve showing purge ports, which are on each side

NPV

O-Port Thru Gate Valve Heavy Slurry and Scaling Applications



PART LIST		
	PART NAME	MATERIAL
1	BODY	CG8M (317 S.S.)
2	BODY BOLT	18.8 S.S.
3	BODY NUT	18.8 S.S.
4	GATE	316L S.S.
5	PACKING	SYNTHETIC (2-12PH)
6	STANCHION	303 S.S.
7	NYLOK NUT	18.8 S.S.
8	GLAND	CG8M (317 S.S.)
9	GLAND NYLOK NUT	18.8 S.S.
10	GLAND STUD	18.8 S.S.
11	O-RING	BUNA
12	AIR CYLINDER	N/A
13	COUPLING	CG8M (317 S.S.)
14	COUPLING BOLT	18.8 S.S.
15	COUPLING NUT	18.8 S.S.

	3"	4"	6"	8"	10"	12"	14"	16"	18"	20"	24"	30"
A	2	2	2.25	2.75	2.75	3	3	3.5	3.5	4.5	4.5	4.5
B	7.5	9	11	13.5	16	19	21	23.5	25	27.5	32	33.5
BOLT CIRCLE	6	7.5	9.5	11.8	14.3	17	18.8	21.3	22.8	25	29.5	36
C	24	26	30	37	44	48.5	53.5	59.5	65.5	71	82	98.5
D	12	14	18	23	31	35	40	45	51	55	65	78
E	9	10	12	15	21	23	26	29	33	35	41	50