

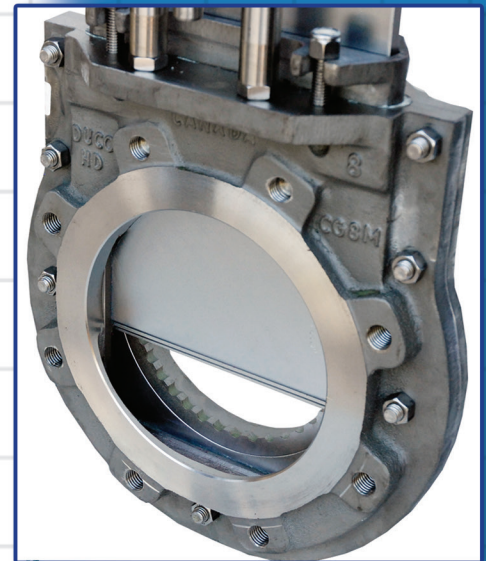
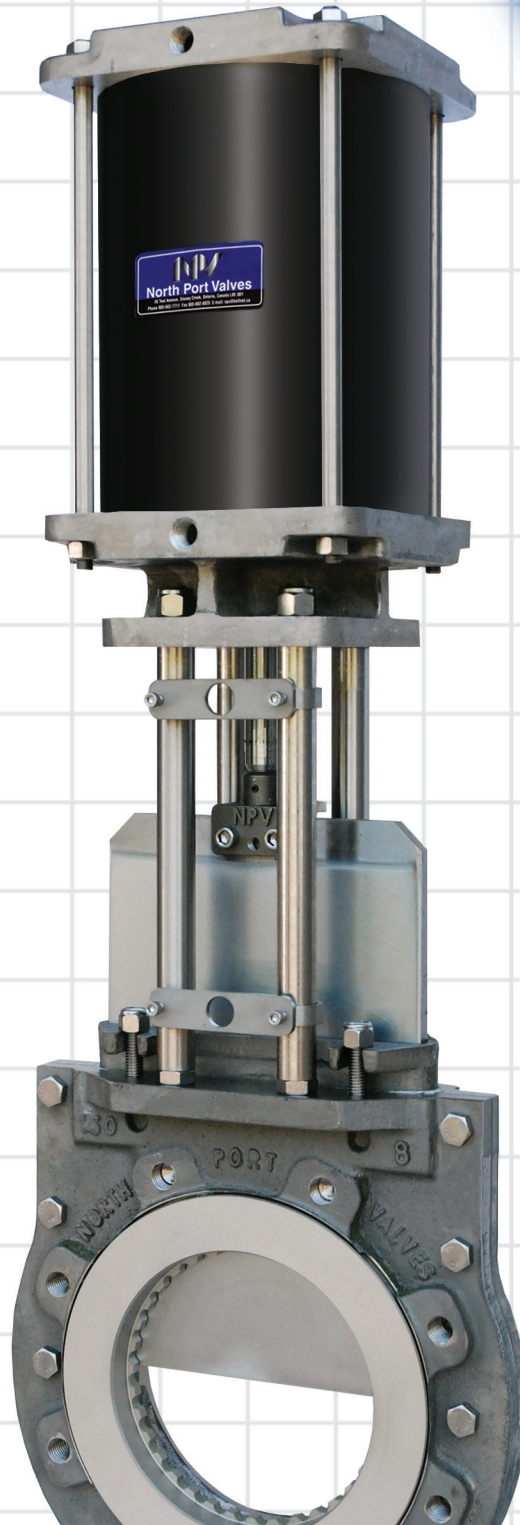
NPV HD/MD Reject Chamber Valve Round by Round Flanged

Series 350

Features and Benefits :

1. The NPV HD/MD Reject Chamber Valve is designed specifically to handle the wire, staples, glass and sand typically found in recycle paper mill reject systems
2. Cavity free, precision machined, special body casting prevents accumulation of solids and trash which would prohibit the valve from activating the open/close limit switch sensors
3. Gate, seat cartridge and gate guide are 400SS heat treated and hardened, which extends the life cycle of the valve
4. Valve design allows for complete factory rebuild to like new condition at 50%-60% of the current list price
5. Gates are chrome plated to reduce friction and valve torque extending the life of the packing
6. All NPV/DUCO valves are supplied with NPV high cycle pneumatic cylinder, limit switch brackets and stainless steel cylinder lockout
7. HD/MD Reject Chamber Round by Round Flanged Valve is available in sizes 6", 8", 10" & 12"

Note: Valves to be installed in the horizontal position

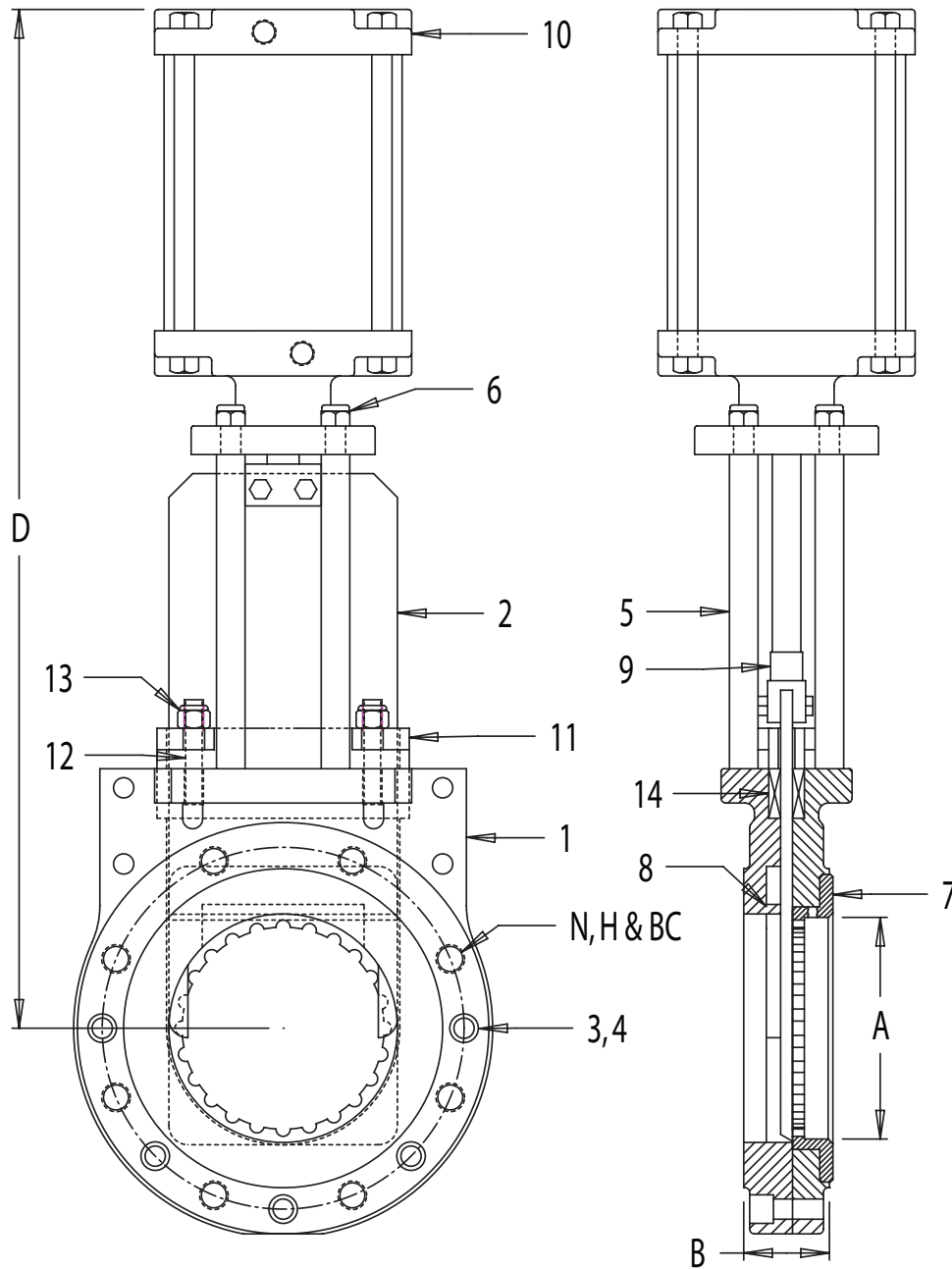


Round flanged, outlet side



Factory replaceable - hardened gate, cartridge and guide for extremely abrasive conditions

NPV HD/MD Reject Chamber Valve Round by Round Flanged



	6"	8"	10"	12"
A	5 3/4"	7 5/8"	9 1/2"	11 1/8"
B	2 1/4"	2 3/4"	2 3/4"	3"
N(HOLES)	8	8	12	12
H(TAP)	3/4" - 10	3/4" - 10	7/8" - 9	7/8" - 9
BC	9 1/2"	11 3/4"	14 1/4"	17"
D	29 3/4"	38 1/4"	46"	53 1/2"

	PART NAME	MATERIAL
1	BODY	CG8M (317 S.S.)
2	BODY BOLTS	18.8 S.S.
3	BODY NUTS	18.8 S.S.
4	HARDENED GATE	STAINLESS STEEL
5	STANCHION	303 S.S.
6	STANCHION NUT	18.8 S.S.
7	HARDENED INSERT RING	STAINLESS STEEL
8	HARDENED BACKUP RING	STAINLESS STEEL
9	COUPLING	CG8M (317 S.S.)
10	AIR CYLINDER	N/A
11	PACKING GLAND	CG8M (317 S.S.)
12	GLAND STUD	18.8 S.S.
13	GLAND NYLOK STUDS	18.8 S.S.
14	PACKING	SYNTHETIC (2-12PH)